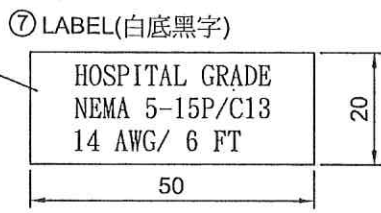
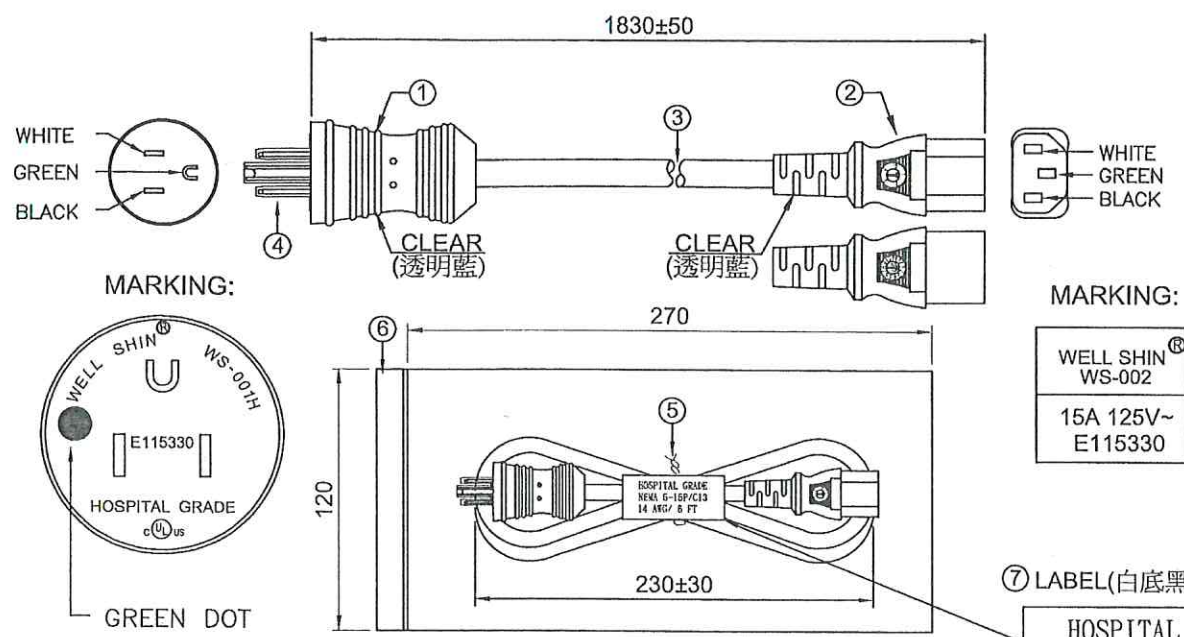


**RoHS COMPLIANT**

CUSTOMER: P/N: REV. . APPROVED BY:

REVISIONS		
REV.	DESCRIPTION	DATE
△		
△		
△		
△		
△		

NOTES:



字型：標楷體  
字寬68 字長35  
LABEL於小袋上置中貼合

ITEM	DESCRIPTION	COLOR	QTY
①	WS-001H 15(A) 125(V) APPROVAL: UL,CUL	CLEAR	1
②	WS-002 15(A) 125(V) APPROVAL: UL,CUL	(透明藍)	1
③	SJT 14AWG 3C 105°C APPROVAL: UL,CSA	(GY-H) PANTONE Cool Gray 9C	1
④	保護套(Plastic cap)	WHITE	1
⑤	扎線帶(Cable tie)	WHITE	1
⑥	PE由任袋(PE bag)	---	1
⑦	LABEL	---	1

ENGINEER BY:	SIGNATURE	DATE: 2015/09/22
MANAGER BY:		
CHECKED BY:	<i>陳金德</i>	UNIT: mm SHEET: 1 OF 1 REV.
DRAWN BY:	陳金德	P/N: M51513-H-072-929

