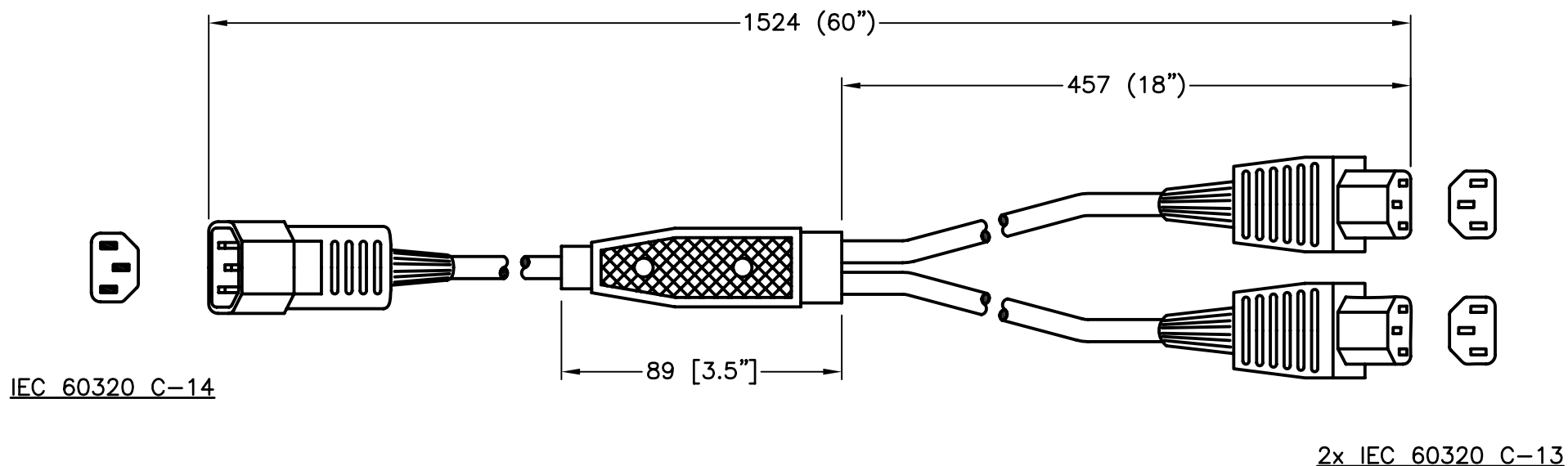


APPROVALS	UL <input checked="" type="checkbox"/> C-UL <input checked="" type="checkbox"/>
STANDARDS	IEC 60320 <input checked="" type="checkbox"/>
CERTIFICATIONS	ROHS <input checked="" type="checkbox"/>

ALL DIMENSIONS ARE IN MILLIMETERS



**SPECIFICATIONS:**

- |                     |                                   |
|---------------------|-----------------------------------|
| 1. OVERALL LENGTH:  | 60 INCHES                         |
| 2. CONDUCTORS:      | 14awg-3c                          |
| 3. JACKET:          | SJTOW, 105°C, BLACK               |
| 4. PLUG:            | IEC 60320 C14, STRAIGHT, BLACK    |
| 5. CONNECTOR:       | 2x IEC 60320 C13, STRAIGHT, BLACK |
| 6. RATED:           | 15 AMPERE 250 VOLT                |
| 7. PUT-UP:          | BULK                              |
| 8. WEIGHT (APPROX): | -                                 |

**WORLD CORD SETS, INC.**

TEL (860)763-2100  
FAX (860)763-1183



www.WorldCordSets.com  
sales@WorldCordSets.com

TITLE

Y-CORD C14 to 2x C13 15A 250V BLACK

THIS DOCUMENT AND THE INFORMATION CONTAINED HEREIN ARE THE PROPRIETARY CONFIDENTIAL PROPERTY OF WORLD CORD SETS. NO USE OR REPRODUCTION IN PART OR WHOLE MAY BE MADE WITHOUT WRITTEN PERMISSION FROM WORLD CORD SETS.

SCALE  
NONE

DATE  
05-07-2014

PART NO.  
1413(2)-H-060.018

REV  
-