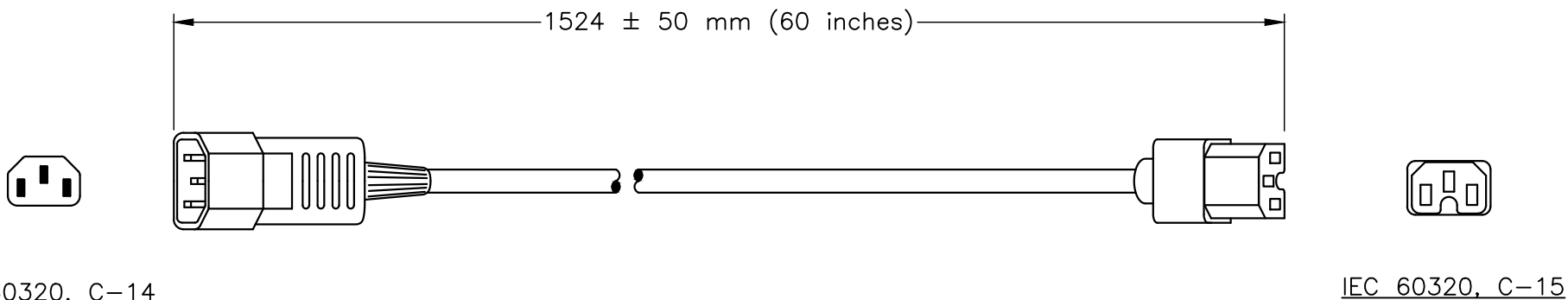


APPROVALS	C-UL <input checked="" type="checkbox"/> UL <input checked="" type="checkbox"/>
CERTIFICATIONS	ROHS <input checked="" type="checkbox"/>
STANDARDS	IEC 60320 <input checked="" type="checkbox"/>



SPECIFICATIONS:

- 1. OVERALL LENGTH: 1524 ± 50 mm (60 inches)
- 2. CONDUCTORS: 14 AWG x 3
- 3. JACKET: SJTOW, 105°C, WHITE
- 4. PLUG: IEC 60320 C-14, STRAIGHT, WHITE
- 5. CONNECTOR: IEC 60320 C-15, STRAIGHT, WHITE
- 6. RATED: 15 AMPERE 250 VOLT
- 7. PUT-UP: COILED
- 8. WEIGHT: 0.6 lb / 0.27 kg
- 9. MISCELLANEOUS

ALL DIMENSIONS ARE IN MILLIMETERS

WORLD CORD SETS, INC.			
TEL (860)763-2100		www.WorldCordSets.com	
FAX (860)763-1183		sales@WorldCordSets.com	
TITLE			
C14 C15 14/3 SJT(OW) BLACK			
SCALE	DATE	PART NO.	REV
NONE	05-15-2018	1415-H-060-WHT	-