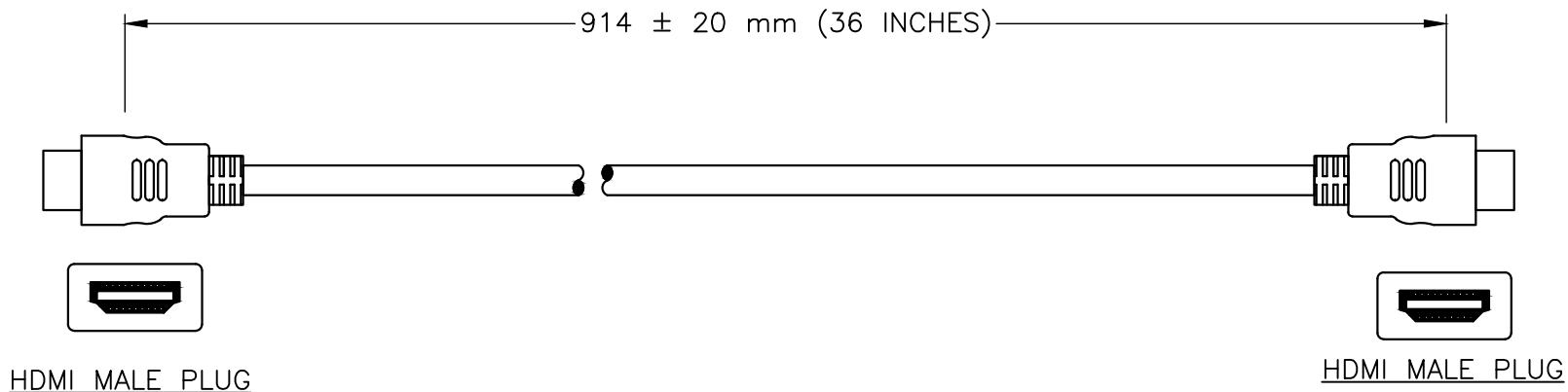


APPROVALS	CSA <input checked="" type="checkbox"/>	UL <input checked="" type="checkbox"/>	VDE <input checked="" type="checkbox"/>
CERTIFICATIONS	CE <input checked="" type="checkbox"/>	ROHS <input checked="" type="checkbox"/>	
STANDARDS	IEC 60320 <input checked="" type="checkbox"/>		



SPECIFICATIONS:

1. OVERALL LENGTH: 3 FEET
2. CONDUCTORS: 28 AWG, .217 INCH DIAMETER
3. PLUG: HDMI MALE PLUG, BLACK
4. CONNECTOR: HDMI MALE PLUG, BLACK
5. PUT-UP: COILED
6. WEIGHT (APPROX): 0.15 LBS / 0.07 Kg
7. MISCELLANEOUS:

WORLD CORD SETS, INC.

TEL (860)763-2100
FAX (860)763-1183



www.WorldCordSets.com
sales@WorldCordSets.com

TITLE			
HDMI CABLE HIGH SPEED WITH ETHERNET 1080p			
SCALE	DATE	PART NO.	REV
NONE	6/4/2018	HDMI1080.036	—