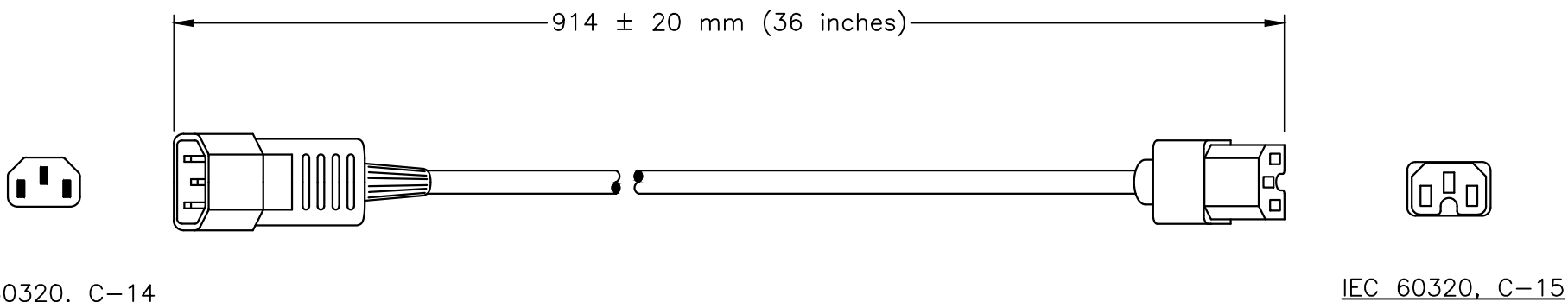



|                |   |
|----------------|---|
| APPROVALS      | C-UL <input checked="" type="checkbox"/> UL <input checked="" type="checkbox"/> |
| CERTIFICATIONS | ROHS <input checked="" type="checkbox"/>  |
| STANDARDS      | IEC 60320 <input checked="" type="checkbox"/>                                   |



SPECIFICATIONS:

1. OVERALL LENGTH: 914 ± 20 mm (36 inches)
2. CONDUCTORS: 14 AWG x 3
3. JACKET: SJTOW, 105°C, RED
4. PLUG: IEC 60320 C-14, STRAIGHT, RED
5. CONNECTOR: IEC 60320 C-15, STRAIGHT, RED
6. RATED: 15 AMPERE 250 VOLT
7. PUT-UP: COILED
8. WEIGHT: 0.39 lb / 0.18 kg
9. MISCELLANEOUS

ALL DIMENSIONS ARE IN MILLIMETERS

|                              |   |                         |     |
|------------------------------|---|-------------------------|-----|
| <b>WORLD CORD SETS, INC.</b> |   |                         |     |
| TEL (860)763-2100            |  | www.WorldCordSets.com   |     |
| FAX (860)763-1183            |   | sales@WorldCordSets.com |     |
| TITLE                        |   |                         |     |
| C14 C15 14/3 SJT(OW) BLACK   |   |                         |     |
| SCALE                        | DATE  | PART NO.                | REV |
| NONE                         | 04-07-2016  | <b>1415-H-036-RED</b>   | -   |

THIS DOCUMENT AND THE INFORMATION CONTAINED HEREIN ARE THE PROPRIETARY CONFIDENTIAL PROPERTY OF WORLD CORD SETS. NO USE OR REPRODUCTION IN PART OR WHOLE MAY BE MADE WITHOUT WRITTEN PERMISSION FROM WORLD CORD SETS.