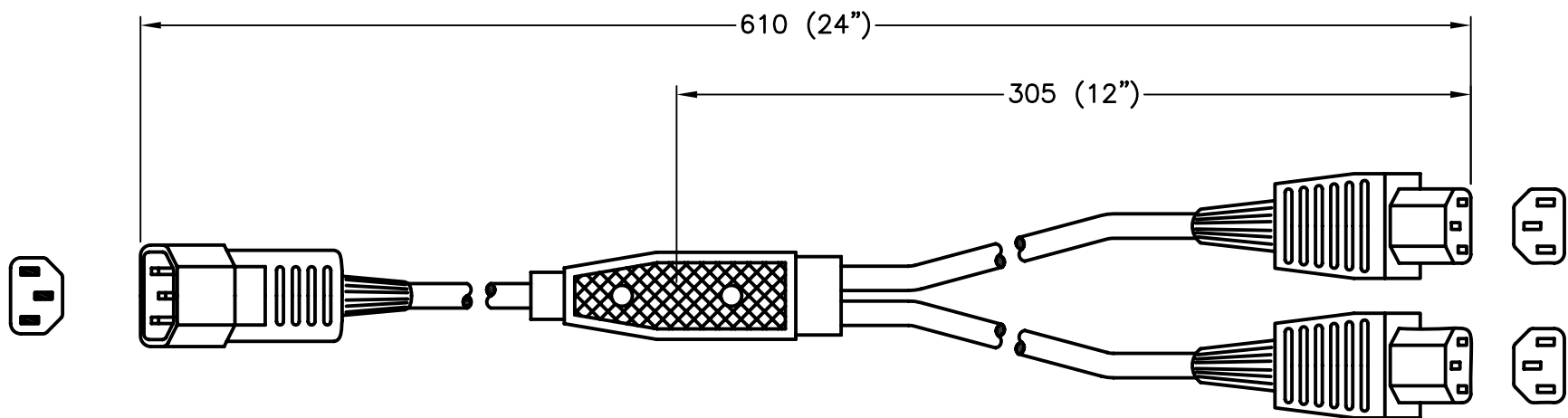


APPROVALS	UL <input checked="" type="checkbox"/>	C-UL <input checked="" type="checkbox"/>	EUROPEAN <input checked="" type="checkbox"/>
STANDARDS	IEC 60320 <input checked="" type="checkbox"/>		
CERTIFICATIONS	ROHS <input checked="" type="checkbox"/>	CE <input checked="" type="checkbox"/>	

ALL DIMENSIONS ARE IN MILLIMETERS



IEC 60320 C-14

2x IEC 60320 C-13

SPECIFICATIONS:

1. OVERALL LENGTH: 610 mm (24 INCHES)
2. CONDUCTORS: 17awg-3c (3X1.0mm²), BL-BR-GR/Y
3. JACKET: SJTOW (H05VV-F), 105°C, BLACK
4. PLUG: IEC 60320 C14, STRAIGHT, BLACK
5. CONNECTOR: 2x IEC 60320 C13, STRAIGHT, BLACK
6. RATED: 10 AMPERE 250 VOLT
7. PUT-UP: BULK
8. WEIGHT (APPROX): 0.8 LBS / 0.36 Kg

WORLD CORD SETS, INC.

TEL (860)763-2100
FAX (860)763-1183



www.WorldCordSets.com
sales@WorldCordSets.com

TITLE

Y-CORD

THIS DOCUMENT AND THE INFORMATION CONTAINED HEREIN ARE THE PROPRIETARY CONFIDENTIAL PROPERTY OF WORLD CORD SETS. NO USE OR REPRODUCTION IN PART OR WHOLE MAY BE MADE WITHOUT WRITTEN PERMISSION FROM WORLD CORD SETS.

SCALE
NONE

DATE
02-27-2014

PART NO.
1413(2)-A-024

REV
-