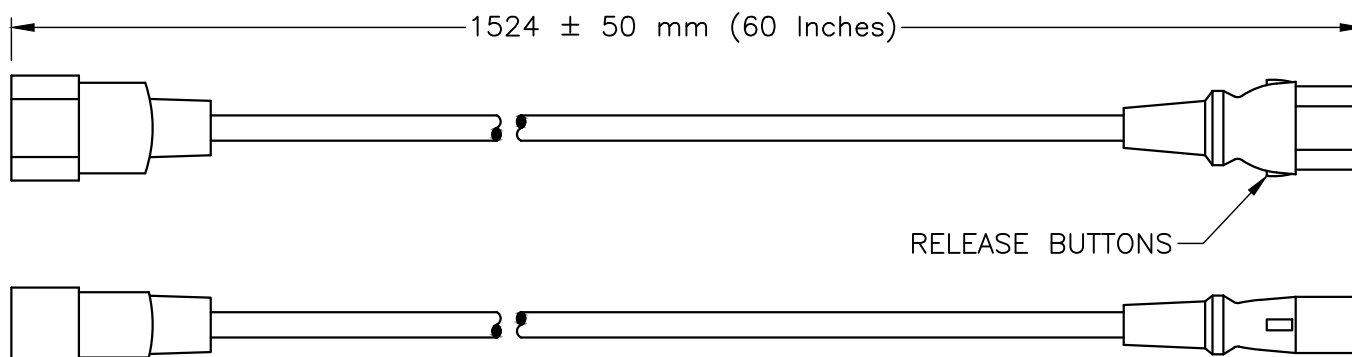
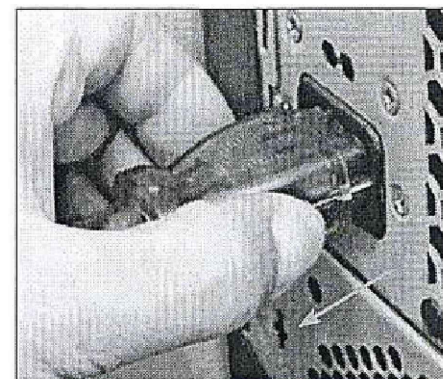
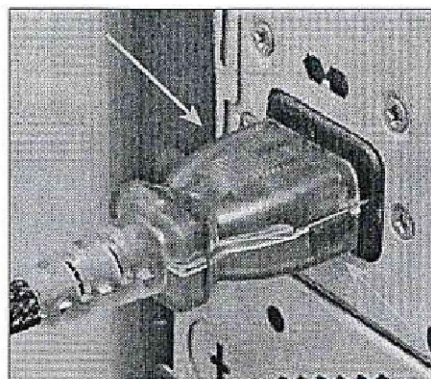
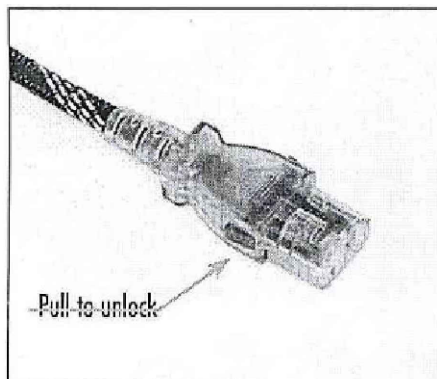


STANDARDS	IEC 60320 <input checked="" type="checkbox"/>
APPROVALS	UL <input checked="" type="checkbox"/> C-UL <input checked="" type="checkbox"/>
CERTIFICATIONS	ROHS <input checked="" type="checkbox"/>



IEC 60320, C14



IEC 60320, C13
LOCKING

SPECIFICATIONS:

1. OVERALL LENGTH: 1524 ± 50 mm (60 INCHES)
2. CONDUCTORS: 14awg-3c
3. JACKET: SJT BLACK
4. PLUG: IEC 60320 C14, STRAIGHT, BLACK
5. CONNECTOR: IEC 60320 C13 LOCKING, STRAIGHT, BLACK
6. RATED: 15 AMPERE 250 VOLT
7. PUT-UP: BULK PACKED
8. WEIGHT (APPROX): 0.6 LBS / 0.27 Kg
9. MISCELLANEOUS:

WORLD CORD SETS, INC.

TEL (860)763-2100
FAX (860)763-1183



www.WorldCordSets.com
sales@WorldCordSets.com

TITLE
C14 to C13 LOCKING

THIS DOCUMENT AND THE INFORMATION CONTAINED HEREIN ARE THE PROPRIETARY CONFIDENTIAL PROPERTY OF WORLD CORD SETS. NO USE OR REPRODUCTION IN PART OR WHOLE MAY BE MADE WITHOUT WRITTEN PERMISSION FROM WORLD CORD SETS.

SCALE NONE	DATE 06-14-2013	PART NO. 1413K-H-060	REV —
---------------	--------------------	--------------------------------	----------