

CUSTOMER:

P/N:

REV. .

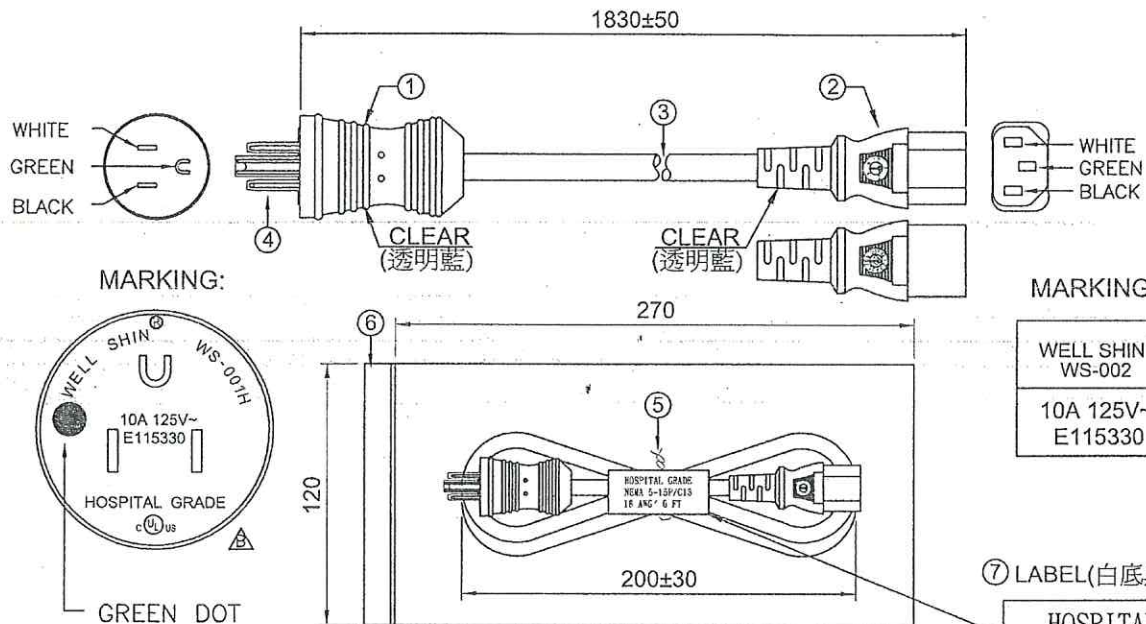
APPROVED BY:

2015.06.04

REVISIONS

REV.	DESCRIPTION	DATE
△	增加小袋標籤	2014/01/14
△	更新頭部印字	2015/06/04
△		
△		
△		

NOTES:



MARKING:
WELL SHIN®
WS-002
10A 125V~
E115330

⑦ LABEL(白底黑字)

HOSPITAL GRADE
NEMA 5-15P/C13
18 AWG/ 6 FT
50
20

字型：標楷體
字寬68 字長35
LABEL於小袋上置中貼合

MARKING: (M) FOR DONG-GUAN PLANT, (K) FOR KUN-SHAN PLANT

ITEM	DESCRIPTION	COLOR	QTY
①	WS-001H 10(A) 125(V) APPROVAL: UL,CUL	CLEAR (透明藍)	1
②	WS-002 10(A) 125(V) APPROVAL: UL,CUL	CLEAR (透明藍)	1
③	SJT 18AWG 3C 105°C APPROVAL: UL,CSA	(GY-H) PANTONE Cool Gray 9C	1
④	保護套(Plastic cap)	WHITE	1
⑤	扎線帶(Cable tie)	WHITE	1
⑥	PE由任袋(PE bag)	---	1
⑦	LABEL	---	1

ENGINEER BY:	SIGNATURE	PRODUCT NO.:	001H-1+002-1	DATE:	2015/06/04
MANAGER BY:		UNIT:	mm	SHEET:	1 OF 1
CHECKED BY:	<i>[Signature]</i>	DWG NO.:	M51513-F-072-929	REV.:	B
DRAWN BY:	陳金德				