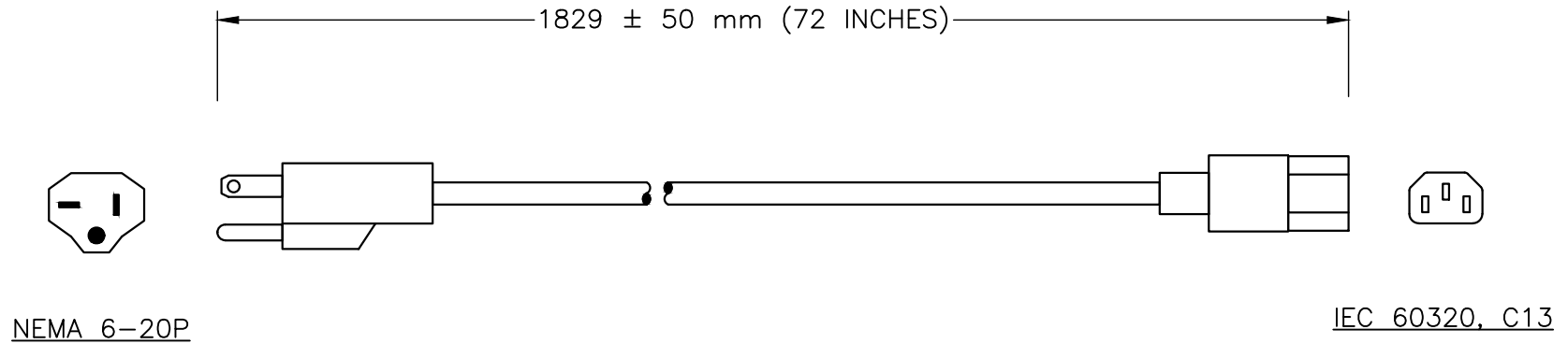


COMPONENT APPROVALS | UL | C-UL

CERTIFICATIONS | ROHS



SPECIFICATIONS:

- 1. OVERALL LENGTH: 6 FEET
- 2. CONDUCTORS: 14awg-3c
- 3. JACKET: SJT BLACK
- 4. PLUG: NEMA 6-20P, BLACK
- 5. CONNECTOR: IEC 60320 C13, STRAIGHT, BLACK
- 6. RATED: 15 AMPERE 250 VOLT
- 7. PUT-UP: BULK
- 8. WEIGHT (APPROX): 0.73 LBS / 0.33 Kg
- 9. MISCELLANEOUS:

WORLD CORD SETS, INC.

TEL (860)763-2100
FAX (860)763-1183



www.WorldCordSets.com
sales@WorldCordSets.com

TITLE

NEMA 6-20P to C13

THIS DOCUMENT AND THE INFORMATION CONTAINED HEREIN ARE THE PROPRIETARY CONFIDENTIAL PROPERTY OF WORLD CORD SETS.
NO USE OR REPRODUCTION IN PART OR WHOLE MAY BE MADE WITHOUT WRITTEN PERMISSION FROM WORLD CORD SETS.

SCALE
NONE

DATE
06-05-2018

PART NO.
62013-H-072

REV
—