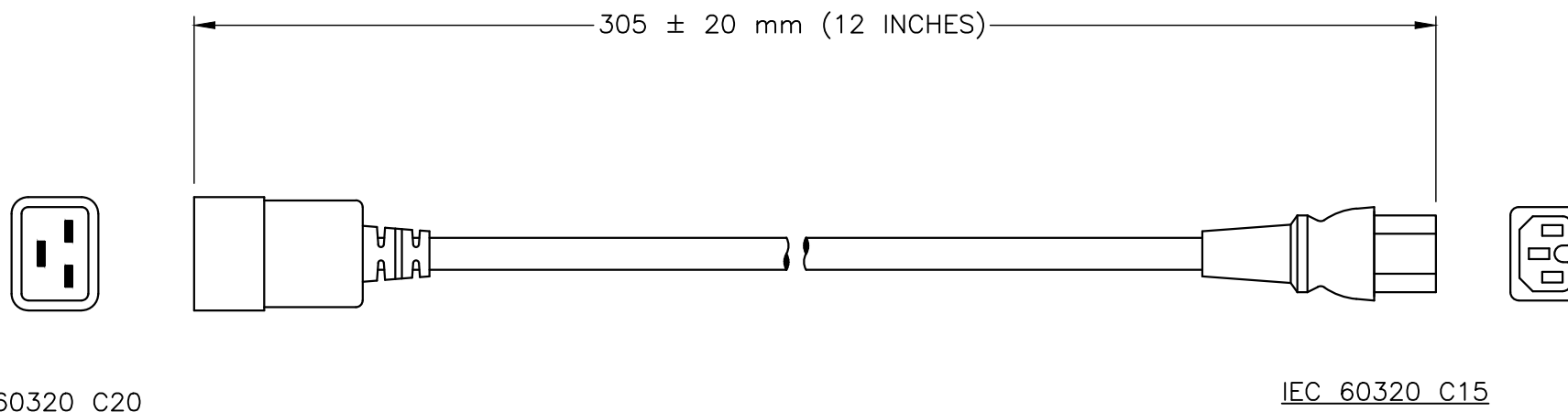


STANDARDS	IEC 60320 <input checked="" type="checkbox"/>
APPROVALS	C-UL <input checked="" type="checkbox"/> UL <input checked="" type="checkbox"/>
CERTIFICATIONS	ROHS <input checked="" type="checkbox"/>



IEC 60320 C20

IEC 60320 C15

SPECIFICATIONS:

1. LENGTH: 305 ± 20 mm (12 INCHES)
2. CONDUCTORS: 14awg-3c
2. JACKET: SJT, 105°C, BLACK
3. PLUG: IEC60320 C20, STRAIGHT, BLACK
4. CONNECTOR: IEC60320 C15, STRAIGHT, BLACK
5. RATED: 15A 250V
6. MISCELLANEOUS:

**WORLD CORD SETS, INC.**

TEL (860)763-2100  
FAX (860)763-1183



www.WorldCordSets.com  
sales@WorldCordSets.com

TITLE

1 FT C20 C15 14awg-3c SJT 105c BLACK

THIS DOCUMENT AND THE INFORMATION CONTAINED HEREIN ARE THE PROPRIETARY CONFIDENTIAL PROPERTY OF WORLD CORD SETS. NO USE OR REPRODUCTION IN PART OR WHOLE MAY BE MADE WITHOUT WRITTEN PERMISSION FROM WORLD CORD SETS.

SCALE  
NONE

DATE  
03-16-2018

PART NO.  
**2015-H-012**

REV  
-