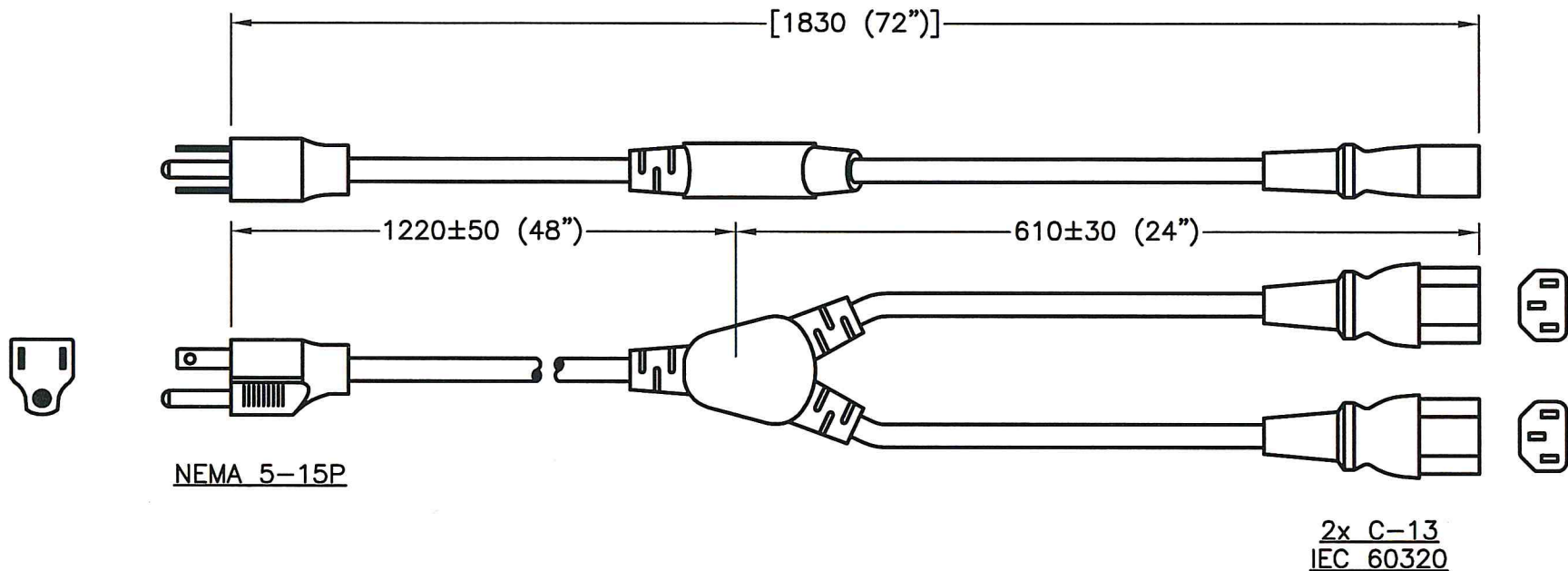


APPROVALS	UL <input checked="" type="checkbox"/> C-UL <input checked="" type="checkbox"/>
STANDARDS	IEC 60320 <input checked="" type="checkbox"/> NEMA 5-15P <input checked="" type="checkbox"/>
CERTIFICATIONS	ROHS <input checked="" type="checkbox"/>

ALL DIMENSIONS ARE IN MILLIMETERS



SPECIFICATIONS:

1. OVERALL LENGTH: 72 inches
2. CONDUCTORS: 18awg-3c
3. JACKET: SJT, 105°C, BLACK
4. PLUG: NEMA 5-15P, STRAIGHT, BLACK
5. CONNECTOR: 2x IEC 60320 C13, BLACK
6. RATED: 10 AMPERE 125 VOLT
7. PUT-UP: BULK
8. WEIGHT (APPROX): -

WORLD CORD SETS, INC.

TEL (860)763-2100
FAX (860)763-1183



www.WorldCordSets.com
sales@WorldCordSets.com

TITLE

Y-CORD 5-15P to 2x C13 10A 250V BLACK

SCALE
NONE

DATE
08-13-2015

PART NO.
51513(2)-F-072

REV
-