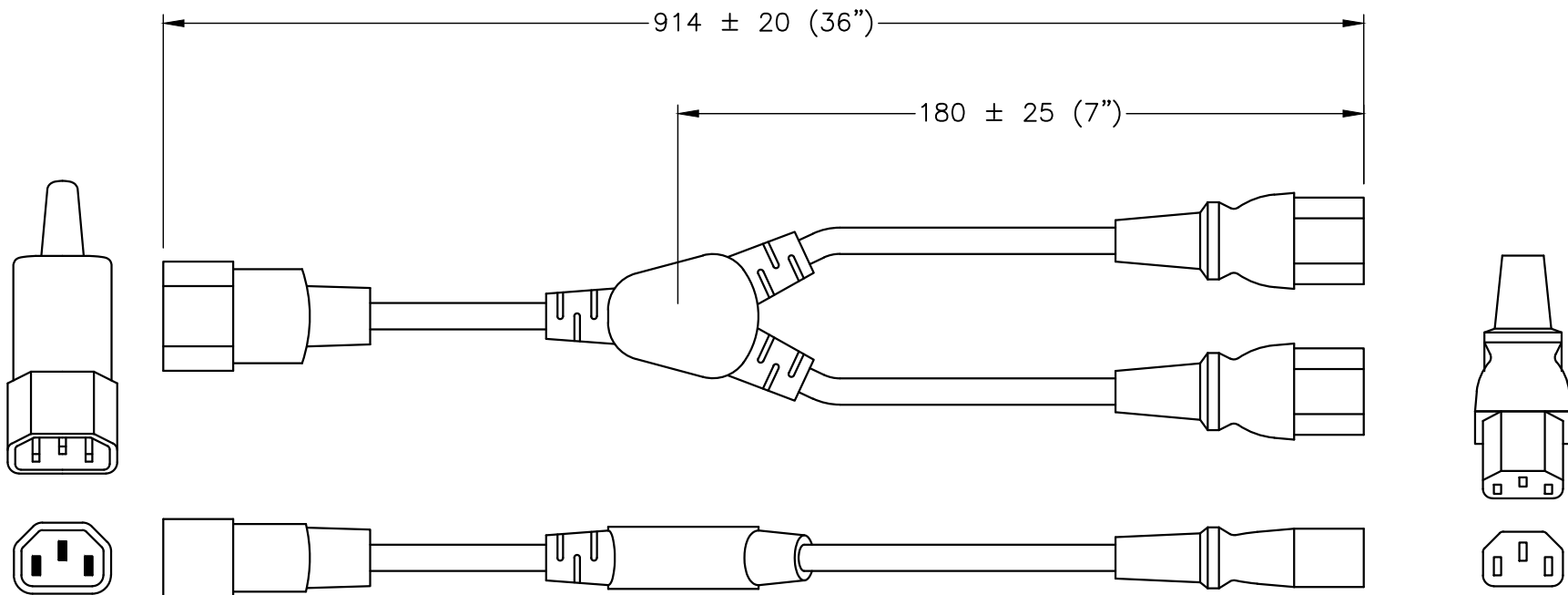


| | |
|----------------|---|
| APPROVALS | UL <input checked="" type="checkbox"/> C-UL <input checked="" type="checkbox"/> |
| STANDARDS | IEC 60320 <input checked="" type="checkbox"/> |
| CERTIFICATIONS | ROHS <input checked="" type="checkbox"/> |

ALL DIMENSIONS ARE IN MILLIMETERS




IEC 60320 C-14

2x IEC 60320 C-13

SPECIFICATIONS:

1. OVERALL LENGTH: 36 INCHES
2. CONDUCTORS: 16awg-3c
3. JACKET: SJT, 105°C, BLACK
4. PLUG: IEC 60320 C14, STRAIGHT, BLACK
5. CONNECTOR: 2X IEC 60320 C13, STRAIGHT, BLACK
6. RATED: 13 AMPERE 250 VOLT
7. PUT-UP: BULK
8. WEIGHT (APPROX): 0.4 LBS / 0.18 Kg

| | | | |
|------------------------------|------------|---|-------------------------|
| WORLD CORD SETS, INC. | | | |
| TEL (860)763-2100 | |  | www.WorldCordSets.com |
| FAX (860)763-1183 | | | sales@WorldCordSets.com |
| TITLE | | | |
| Y-CORD | | | |
| SCALE | DATE | PART NO. | REV |
| NONE | 09-24-2015 | 1413(2)-G-036 | - |