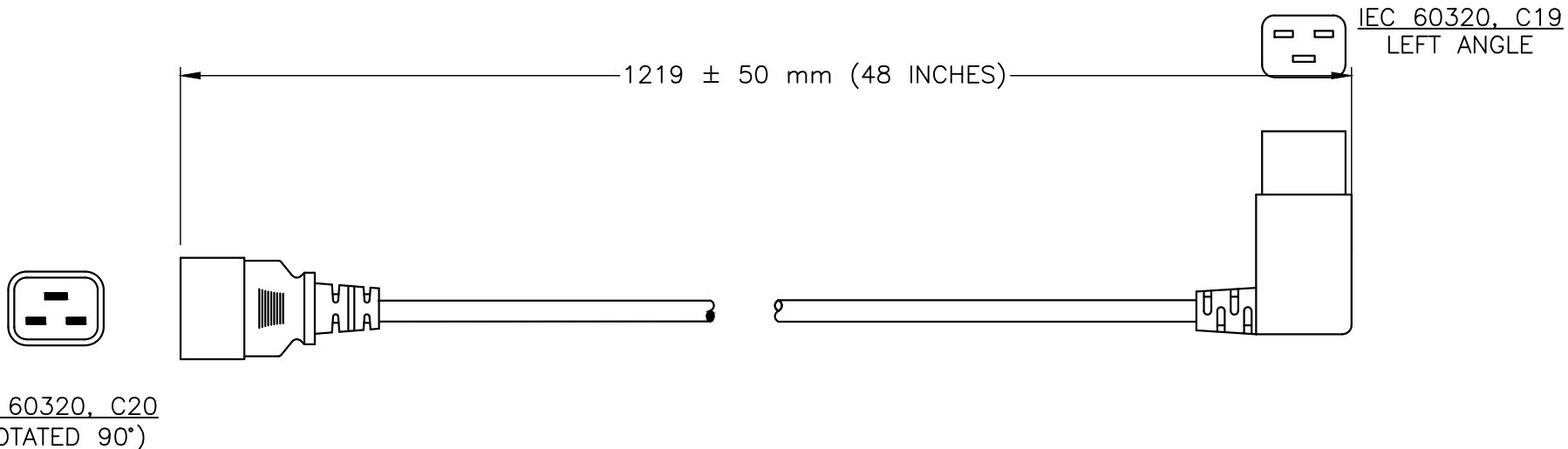


STANDARDS	IEC 60320 <input checked="" type="checkbox"/>
APPROVALS	C-UL <input checked="" type="checkbox"/> UL <input checked="" type="checkbox"/>
CERTIFICATIONS	ROHS <input checked="" type="checkbox"/>



**SPECIFICATIONS:**

1. OVERALL LENGTH: 4 FEET
2. CONDUCTORS: 12awg-3c
3. JACKET: SJT(OW), 105°C, BLACK
4. PLUG: IEC 60320 C20, STRAIGHT, BLACK
5. CONNECTOR: IEC 60320 C19, STRAIGHT, BLACK
6. RATED: 20A 250V
7. WEIGHT: 0.8 LBS / 0.36 Kg
8. PUT-UP: COILED
9. MISCELLANEOUS:

**WORLD CORD SETS, INC.**

TEL (860)763-2100  
FAX (860)763-1183



www.WorldCordSets.com  
sales@WorldCordSets.com

TITLE

IEC 60320 C20 to C19 LEFT ANGLE POWER CORD

THIS DOCUMENT AND THE INFORMATION CONTAINED HEREIN ARE THE PROPRIETARY CONFIDENTIAL PROPERTY OF WORLD CORD SETS. NO USE OR REPRODUCTION IN PART OR WHOLE MAY BE MADE WITHOUT WRITTEN PERMISSION FROM WORLD CORD SETS.

SCALE  
NONE

DATE  
12-06-2012

PART NO.  
**2019L-J-048**

REV  
-