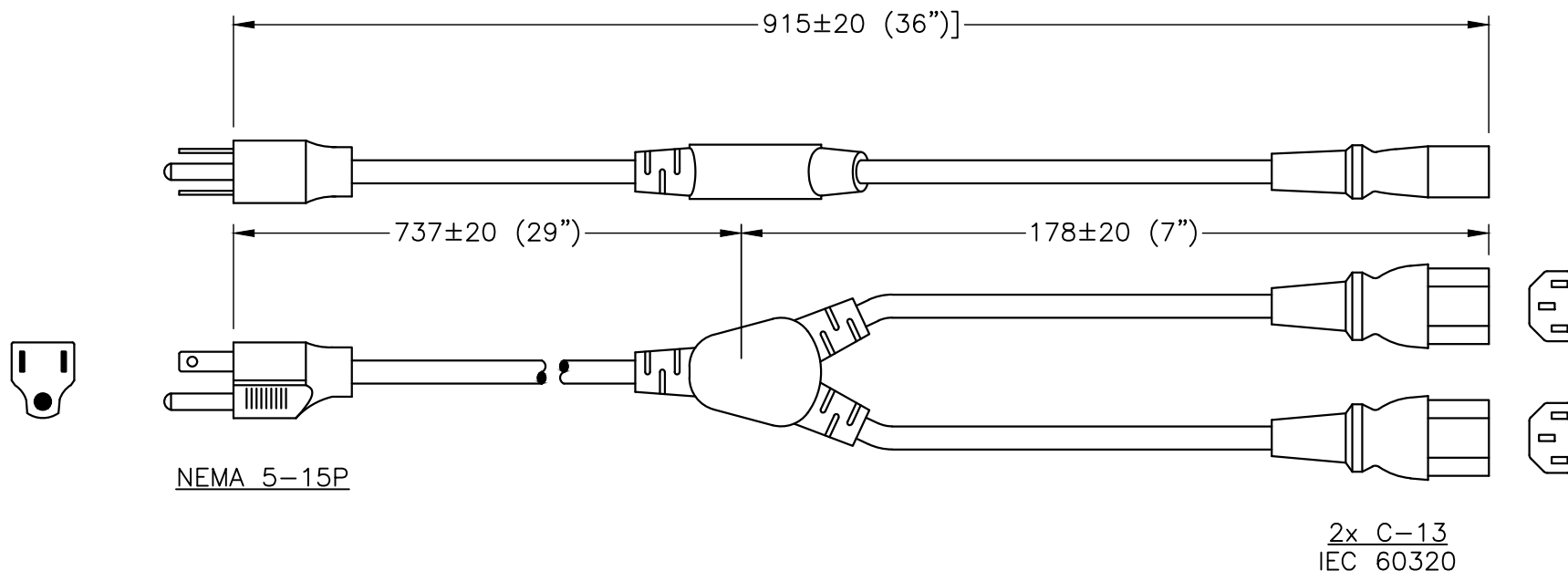



APPROVALS	UL <input checked="" type="checkbox"/> C-UL <input checked="" type="checkbox"/>
STANDARDS	IEC 60320 <input checked="" type="checkbox"/> NEMA 5-15P <input checked="" type="checkbox"/>
CERTIFICATIONS	ROHS <input checked="" type="checkbox"/>

ALL DIMENSIONS ARE IN MILLIMETERS



SPECIFICATIONS:

1. OVERALL LENGTH: 3 FEET
2. CONDUCTORS: 18awg-3c
3. JACKET: SJT, 105°C, BLACK
4. PLUG: NEMA 5-15P, STRAIGHT, BLACK
5. CONNECTOR: 2x IEC 60320 C13, BLACK
6. RATED: 10 AMPERE 125 VOLT
7. PUT-UP: BULK
8. WEIGHT (APPROX): 0.5 LBS / 0.23 KG

WORLD CORD SETS, INC.			
TEL (860)763-2100		 www.WorldCordSets.com sales@WorldCordSets.com	
FAX (860)763-1183			
TITLE			
Y-CORD 5-15P to 2x C13 10A 250V BLACK			
SCALE	DATE	PART NO.	REV
NONE	08-13-2015	51513(2)-F-036	—