

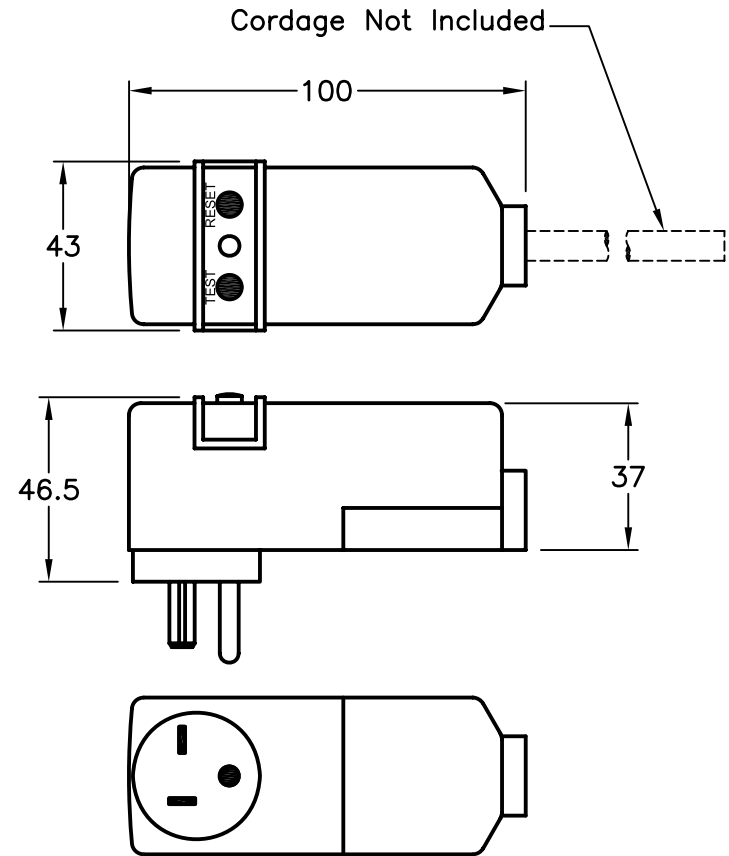
**CORD PREPARATION:**

- REMOVE OUTER JACKET: 7/8" (22 mm)
- STRIP ALL: 7/16" (11 mm)

**SCREW TORQUE:**

- WIRE TERMINAL = 10 TO 14 IN-LBS
- CORD CLAMP = 15 TO 20 IN-LBS
- COVER = 12 TO 18 IN-LBS

Description	User Attachable GFCI, Plug-Head Style
Plug Configuration	Nema 5-20p
Rated Current	20 amps
Rated Voltage	120 Volts
Frequency	60 Hz
Polarity	2 Pole 3 Wire
Tripping Current	4-6 mA
Maximum Tripping Time	25 ms
Ambient Temperature Range	-35C to 66C
Reset Type upon Power Loss	Automatic (also known as Passive or Latching)
Color	Black
Design	UL Standard 943 Class A with open neutral protection UL Recognized, CSA Rainproof Design
Cordage	Accepts 18-12 awg (2 or 3 cond.) SJT(OW) SJ(OW)
Grommet	INCLUDED
RoHS	RoHS compliant model is available
Function	Test and Reset Buttons not to be used as ON/OFF switch



ALL DIMENSIONS ARE IN MILLIMETERS

**WORLD CORD SETS, INC.**

TEL (860)763-2100  
FAX (860)763-1183



www.WorldCordSets.com  
sales@WorldCordSets.com

TITLE

GFCI – USER ATTACHABLE, PLUG-HEAD STYLE

THIS DOCUMENT AND THE INFORMATION CONTAINED HEREIN ARE THE PROPRIETARY CONFIDENTIAL PROPERTY OF WORLD CORD SETS. NO USE OR REPRODUCTION IN PART OR WHOLE MAY BE MADE WITHOUT WRITTEN PERMISSION FROM WORLD CORD SETS.

SCALE  
NONE

DATE  
12-3-2007

PART NO.  
PH-A-20125

REV  
A